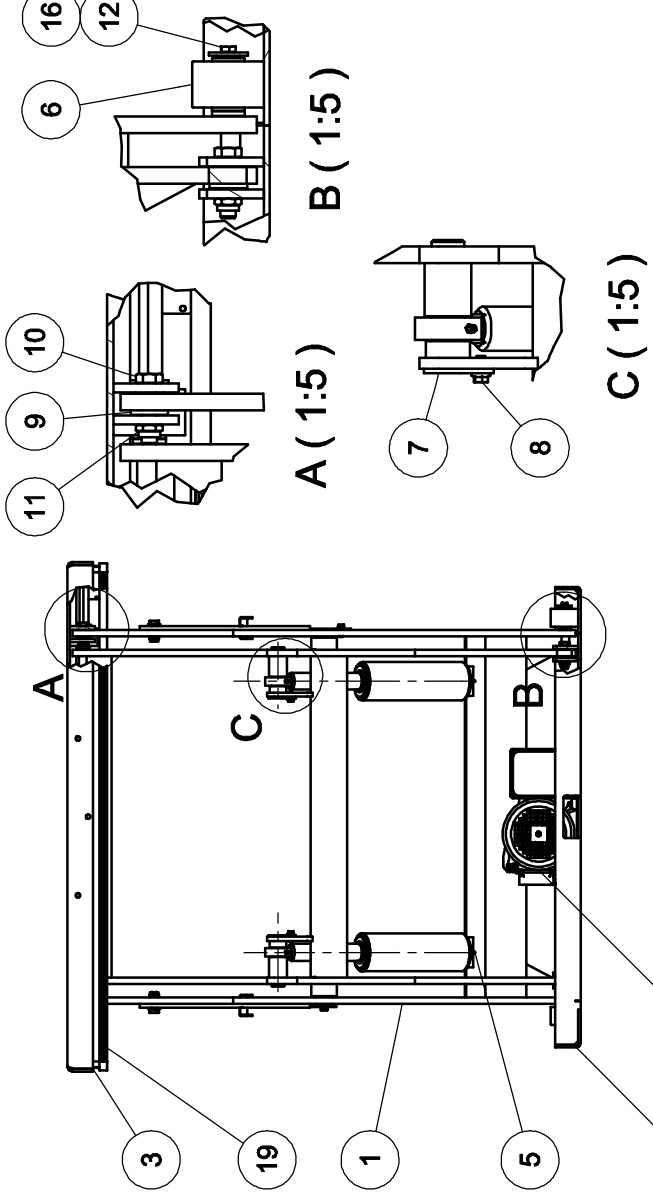
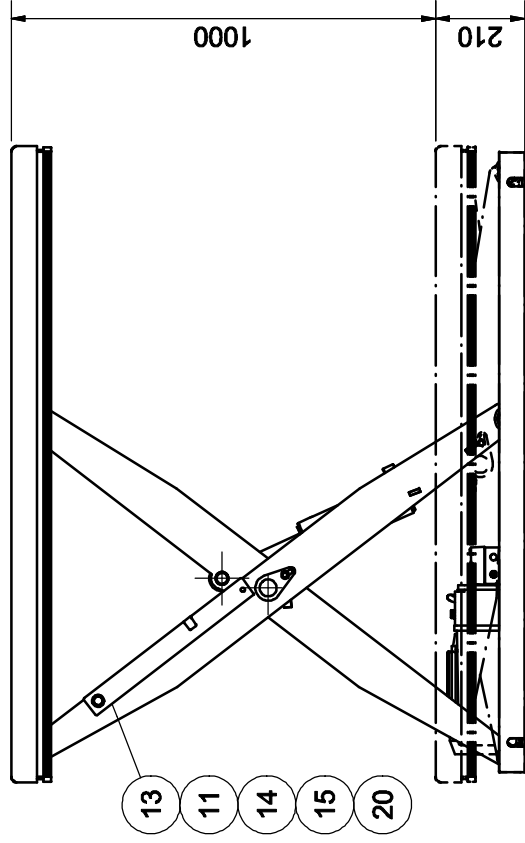


This document must not be copied without our written permission, and the contents thereof must not be imparted to a third party nor be used for any unauthorized purpose. Contravention will be prosecuted.



Item	QTY	Description	Item no / Doc no	Designation / Material / Note
20	2	Washer	84006	BRB M14 FZB
19	1	Safety frame	31766	Längd se tabell
18	4	Screw	83210	M6S M8x10 8.8 FZB
17	4	Washer	84034	BRB M8 FZB
16	4	Washer	85243	SRKB 9x35x3 fzb
15	2	Screw	84873	M6S M14x40 8.8 FZB
14	2	Spacer	43216	Ø15/22x11
13	2	Locking support	607662	
12	4	Screw	84157	M6S M8x20 8.8 FZB
11	6	Nut	83245	LM6M M14 FZB
10	4	Screw	84881	M6S M14x55 8.8 FZB
9	4	Slide bearing	70025	Ø22/28/34x20
8	2	Screw	82021	M6SF-TT - M8x16 FZB
7	2	Shaft with lug	600943	Ø29,8 L=117
6	4	Wheel	43841	Ø65
5	2	Cotter pin	83205	83205
4	1	Hydraulic complete	44793	
3	1	Table	607735	
2	1	Base frame	607738	
1	1	Scissor unit	607763	

**CB 1200 Assembly**

Drawn	JOANO	Date	2011-12-08
Scale	1:13.0	Est. weight	297,4 kg
Document kind	Konstruktionsritning		

General tolerances for dimensions without indication according to ISO 2768-m

System: Inventor Sheet size: A3

Drawing no: 607774

Revision

